

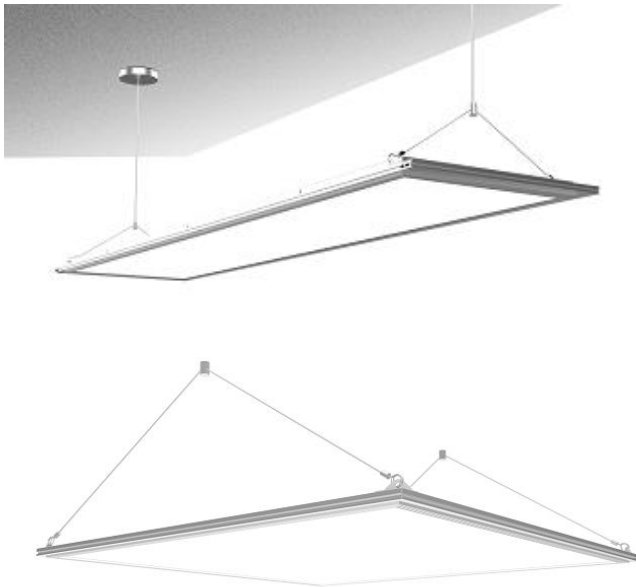


Project _____
 Part No. _____
 Quantity _____
 Date _____

Excellence in LED Lighting

www.axleninc.com

e-Solis LED Suspended Panel Light



New "Transparent" Version

- Elegant Suspended Slim Profile
- Contemporary Visual Experience
- Efficient Edge Lit LED Architecture
- Smooth Lighting Distribution
- Bi-directional Light Output
- Proprietary Low-Glare Optical Films
- 1' x 4' and 2' x 2' versions

Key Panel Specifications ¹

Model ²	Input (VAC)	Wattage	Beam Angle	Total Lumen Output ³	CRI ⁴	CCT ⁵
AX-PL1-32W30K-T	100-277	32W	110°	3500 lm	85	3000K (warm)
AX-PL1-32W40K-T	100-277	32W	110°	3500 lm	85	4000K (neutral)
AX-PL1-32W50K-T	100-277	32W	110°	3500 lm	85	5000K (cool)
AX-PL1-50W30K-T	100-277	50W	110°	5000 lm	85	3000K (warm)
AX-PL1-50W40K-T	100-277	50W	110°	5000 lm	85	4000K (neutral)
AX-PL1-50W50K-T	100-277	50W	110°	5000 lm	85	5000K (cool)
AX-PL2-32W30K-T	100-277	32W	110°	3500 lm	85	3000K (warm)
AX-PL2-32W40K-T	100-277	32W	110°	3500 lm	85	4000K (neutral)
AX-PL2-32W50K-T	100-277	32W	110°	3500 lm	85	5000K (cool)
AX-PL2-50W30K-T	100-277	50W	110°	5000 lm	85	3000K (warm)
AX-PL2-50W40K-T	100-277	50W	110°	5000 lm	85	4000K (neutral)
AX-PL2-50W50K-T	100-277	50W	110°	5000 lm	85	5000K (cool)

1. Due to our continuous improvement program, all specifications are subject to change and Axlen reserves the right of final interpretation.
 2. Models AX-PL1- are 1' x 4' and models AX-PL2- panels are 2' x 2' panels.
 3. Models AX-PL1- provide 55% of light down and 45% up; models AX-PL2- panels provide 70% of light down and 30% up; for other ratios contact sales@axleninc.com.
 4. CRI is the color rendering index.
 5. CCT is the correlated color temperature. For other CCTs (3500K, 4500K, etc), please contact sales@axleninc.com.

For more information, contact sales@axleninc.com

Features

- Contemporary transparent luminaire
- Elegant suspended installation
- Ultra thin slim profile
- Remote power supply module
- Smooth bi-directional diffuse light output with minimal glare
- Integral power supply, power factor > 0.9 and drive for external smart lighting sensor
- Fully dimmable with 0-10V control input
- Optional intelligent control capability with CLEON remote accessory
- Energy efficient- industry-leading efficacy
- No UV or unwanted heat
- Mercury free and RoHS compliant
- Warranty 5 years (Estimated L90 up to 60,000hrs; L70 > 200,000hrs)⁵
- Industry compliance⁶- CA Title 24, LM79, LM80 LEDs⁶

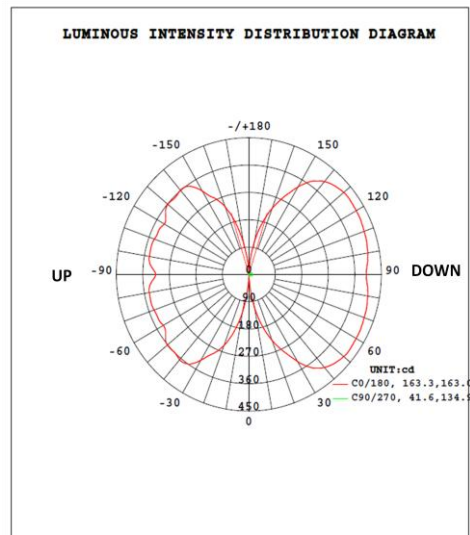
Accessories

e-Solis installation kits are available; SK-48W-14, SK-48-14, SK-48W-22, and SK-48-22 for suspended applications , please contact sales@axleninc.com for more details.

All e-Solis panels are plug and play compatible with the CLEON intelligent lighting control system and are available with an emergency backup option (-E version), please contact sales@axleninc.com for more details.

Lighting Distribution

The panel photometry is taken from an accredited testing laboratory in accordance with IESNA LM-79-08. Typical results are shown for AX-PL1-32W40K-T smooth diffuse output panels (see www.axleninc.com for detailed photometric data).



5. For AX-PL1-32W and AX-PL2-32W models, L90 > 60,000 hrs and L70 > 200,000 hrs; for AX-PL1-50W and AX-PL2-50W models, L90 > 30,000 hrs and L70 > 100,000 hrs.

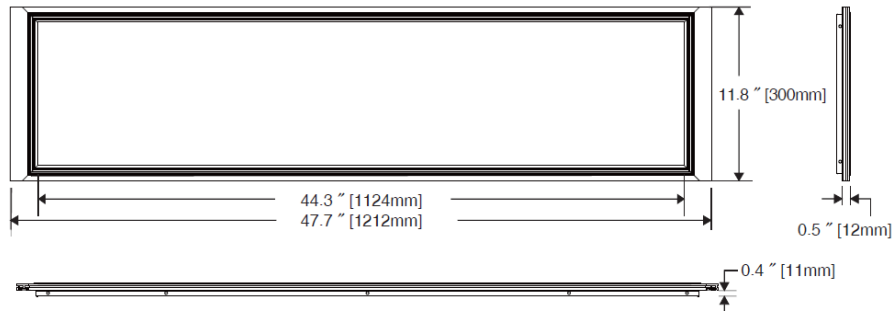
6. All components are UL compliant.

For more information, contact sales@axleninc.com

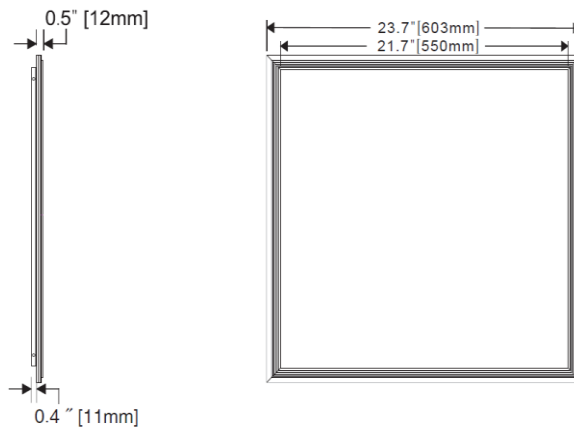
Physical Specifications

(Dimensions in inches/mm)

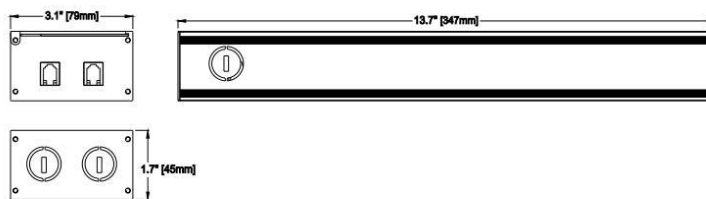
AX-PL1- panels
 Panel Weight: 9.5lb/4.3kg



AX-PL2- panels
 Panel Weight: 9.3lb/4.2kg

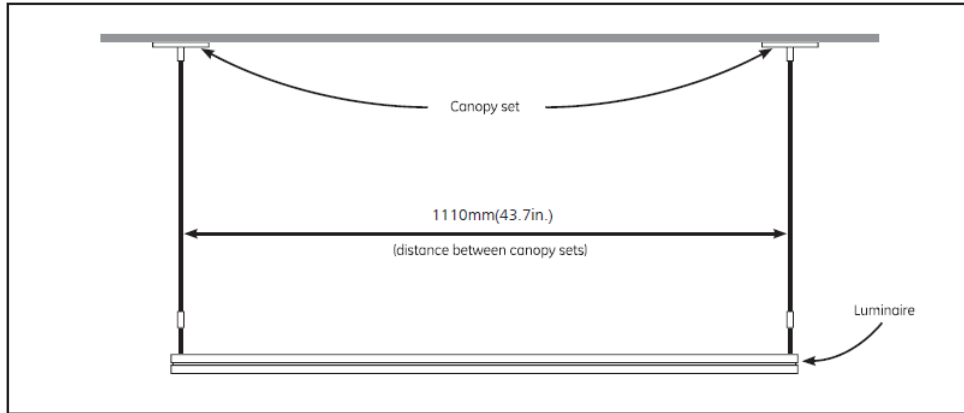


Remote power supply
 Weight: 1.9lb/0.85kg

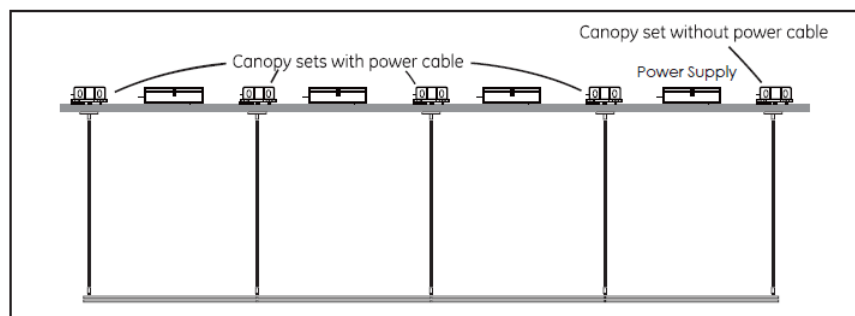
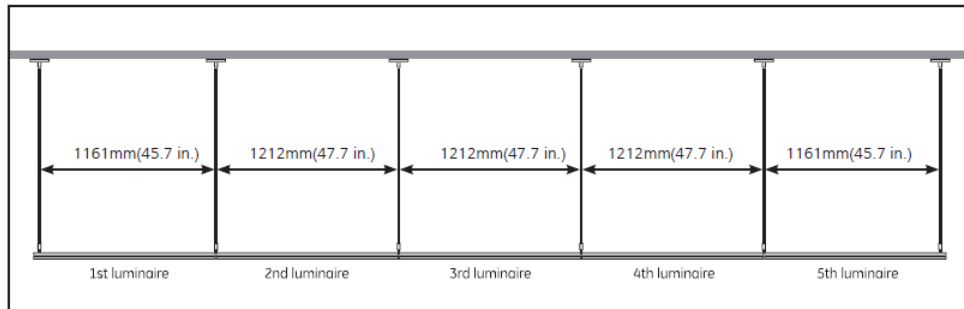


Mounting Options (for SK-48W-14 or SK-48-14 kits)

Single unit installation



Multiple units in series using panel inter-connection hardware



Maximum distance for remote drivers

Supply Wire Gauge	Wire Length
18 AWG	59 ft.
16 AWG	98 ft.
14 AWG	154 ft.
12 AWG	249 ft.

For more information, contact sales@axleninc.com

