



Project \_\_\_\_\_  
 Part No. \_\_\_\_\_  
 Quantity \_\_\_\_\_  
 Date \_\_\_\_\_

Excellence in LED Lighting

[www.axleninc.com](http://www.axleninc.com)

# e-Solis™ LED Panel Light 2Ft x 4Ft - Dimmable

Efficacy up to 150 lm/W



- New Generation Lighting Panel
- Elegant Low Profile Design
- Efficient Edge Lit LED Architecture
- Smooth Lighting Distribution
- Directional or Diffuse Light Output
- Proprietary Low-Glare Optical Films
- Suspended or Embedded Applications

## Key Panel Specifications <sup>1</sup>

Model <sup>2</sup>	Input (VAC)	Wattage	Beam Angle	Output Lumens	Efficacy	CRI <sup>4</sup>	CCT <sup>5</sup>
AX-PL4-32W30K	100-277	30W	110°	4100 lm	140 lm/W	85	3000K (warm)
AX-PL4-32W40K	100-277	31W	110°	4470 lm	145 lm/W	85	4000K (neutral)
AX-PL4-32W50K	100-277	31W	110°	4680 lm	151 lm/W	82	5000K (cool)
AX-PL4-50W30K	100-277	46W	110°	6280 lm	138 lm/W	85	3000K (warm)
AX-PL4-50W40K	100-277	46W	110°	6450 lm	142 lm/W	85	4000K (neutral)
AX-PL4-50W50K	100-277	46W	110°	6710 lm	146 lm/W	82	5000K (cool)
AX-PL4-100W30K	100-277	97W	110°	12260 lm	127 lm/W	85	3000K (warm)
AX-PL4-100W40K	100-277	97W	110°	12530 lm	130 lm/W	85	4000K (neutral)
AX-PL4-100W50K	100-277	97W	110°	12910 lm	133 lm/W	82	5000K (cool)

1. Due to our continuous improvement program, all specifications are subject to change and Axlen reserves the right of final interpretation.  
 2. Additional 3500K and 4500K color temperature versions are also available. Directional output versions (-D), US patent pending, are also available.  
 3. Efficacy is the fixture light output efficiency (lumen output per input wattage, including driver), expressed in lm/W.  
 4. CRI is the color rendering index.  
 5. CCT is the correlated color temperature.

For more information, contact [sales@axleninc.com](mailto:sales@axleninc.com)

## Features

- Replacement for 2' x 4' fluorescent troffers, regular and low bay applications - low profile
- Smooth diffuse light output with minimal glare
- Suspended or embedded application, suitable for damp locations
- Integral power supply, power factor > 0.9 and drive for external smart lighting sensor
- Fully dimmable with 0-10V control input
- Optional intelligent control capability with CLEON remote accessory
- Energy saving of 50% or more
- Optional proprietary directional output (US patent pending)
- No UV or unwanted heat
- Mercury free and RoHS compliant
- Warranty 5 years (Estimated L90 up to 60,000hrs; L70 > 200,000hrs)<sup>6</sup>
- Full industry compliance- UL/cUL, FCC, CE, DLC Premium, CA Title 24, Lighting Facts<sup>®</sup>, LM79, LM80 LEDs

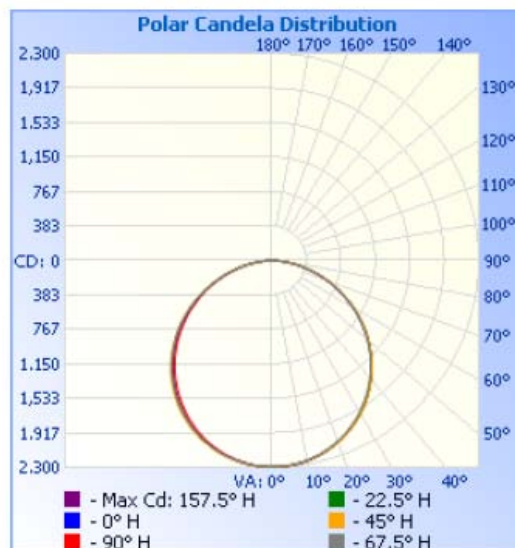
## Accessories

e-Solis suspension kits, SK-48W and SK-48, and surface mount kits are available for different installations, please contact sales@axleninc.com for more details.

All e-Solis panels are plug and play compatible with the CLEON intelligent lighting control system and are available with an emergency backup option (-E version), please contact sales@axleninc.com for more details.

## Lighting Distribution

The panel photometry is taken from an accredited testing laboratory in accordance with IESNA LM-79-08. Typical results are shown for a AX-PL4-50W50K (see www.axleninc.com for detailed photometric data).



6. For AX-PL4-32WYK and AX-PL4-50WYK models, L90 > 60,000 hrs and L70 > 200,000 hrs; for AX-PL4-100WYK models, L90 > 45,000 hrs and L70 > 150,000 hrs.

## Lighting Distribution (cont)

AX-PL4-50W50K

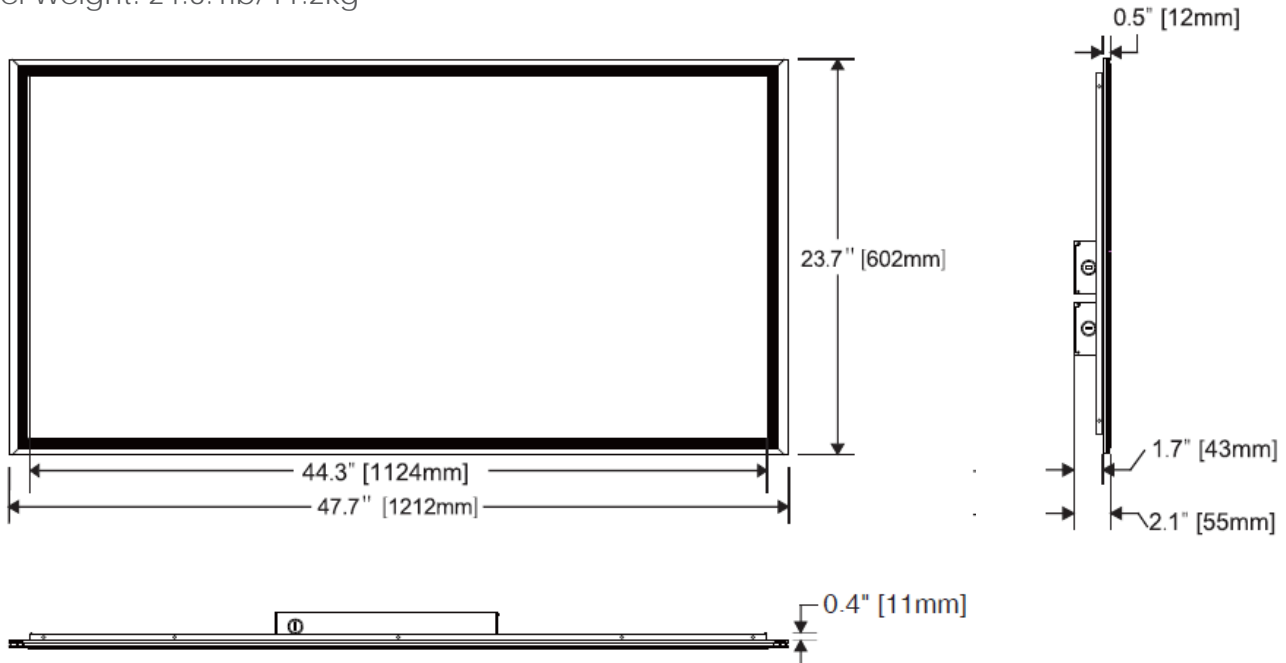
### Zonal Lumen Summary

Zonal Lumen Summary		Zone	Lumens
Zone	Lumens	0-10	217.29
		10-20	624.12
		20-30	950.49
0-20	841.41	30-40	1152.78
0-30	1791.9	40-50	1204.04
0-40	2944.68	50-60	1094.31
0-60	5243.03	60-70	841.04
0-80	6577.71	70-80	493.65
0-90	6713.7	80-90	135.99

## Physical Specifications

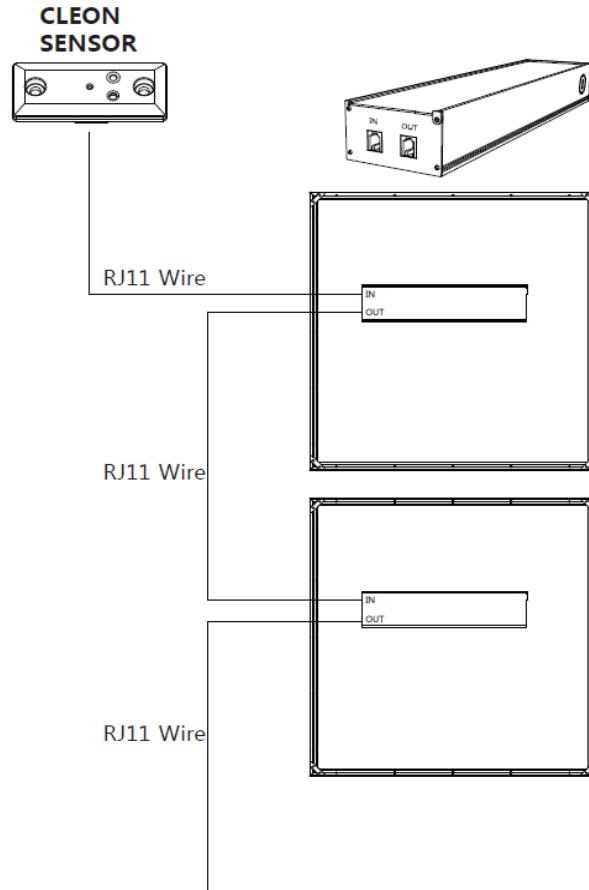
(Dimensions in inches/mm)

Panel Weight: 24.6.1lb/11.2kg



## Wiring Diagrams

### Wiring Configuration for a Smart Lighting Sensor with Multiple Panels

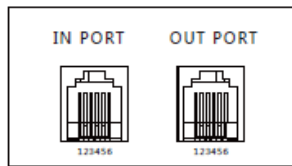


### Smart Lighting Sensor Connections

#### PANEL LIGHT PORTS

##### IN PORT

- 1 NC
- 2 12-24VDC
- 3 GND
- 4 0-10V Dimming
- 5 NC
- 6 NC

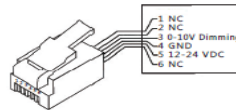


##### OUT PORT

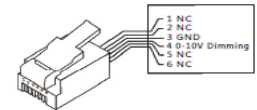
- 1 NC
- 2 NC
- 3 0-10V Dimming
- 4 GND
- 5 NC
- 6 NC

#### CONNECTION TO PANEL

##### IN PORT



##### OUT PORT



All e-Solis panels are fully dimmable with 0-10V control from most industry brand sensors (shown with a CLEON sensor)



For more information, contact [sales@axleninc.com](mailto:sales@axleninc.com)