



Project _____
Part No. _____
Quantity _____
Date _____

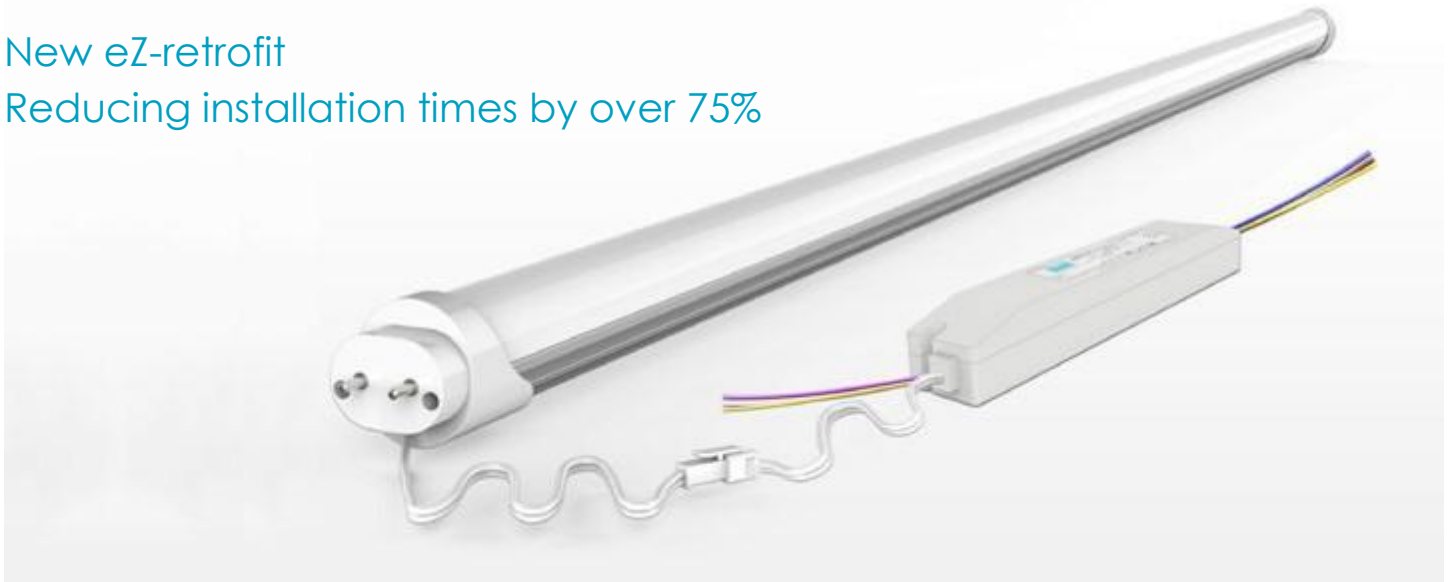
Excellence in LED Lighting

www.axleninc.com

eZ-series T8 LED Tube - 2Ft Dimmable Retrofit Kits

Efficacy up to 150 lm/W

New eZ-retrofit
Reducing installation times by over 75%



Key Tube Specifications ¹

Model ²	Length	Input (VAC)	Wattage	Output Lumens ²	Efficacy ²	CRI ³	CCT ⁴
AXEZ-T8E-2F12W40K	2ft	100-277	10.3W	1513 lm	146 lm/W	85	4000K (neutral)
AXEZ-T8E-2F12W50K	2ft	100-277	10.4W	1564 lm	150 lm/W	85	5000K (cool)

1. Due to our continuous improvement program, all specifications are subject to change and apply with Axlen driver models AXBS-DA-24D-37V240-2-EZ, AXBS-DA-32D-37V260-3-EZ, and AXBS-DA-50D-37V300-4-EZ. Axlen reserves the right of final interpretation.
2. US patent pending.
3. Lumen output and efficacy measured from the tube vs. AC input.
4. CRI is the color rendering index.
5. CCT is the correlated color temperature. For other CCTs (3000K, 3500K, etc), please contact sales@axleninc.com.

Features

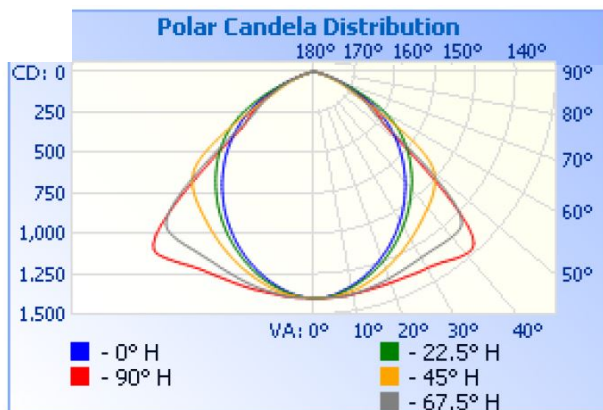
- Direct replacement for fluorescent tubes in existing fixtures
- Quick-fit connections for seamless installation into existing troffer tombstones (US patent pending)
- No re-wiring or pre-kitting of tombstones
- External power supply for high reliability and efficacy, with options for 1-4 LED tube configurations
- Fully dimmable with 0-10V input for operation with smart lighting control sensors
- Optional intelligent control capability with CLEON remote accessory
- Energy savings of 50% or more
- Innovative aluminum housing for superior thermal management
- External driver, power factor > 0.9
- Flicker free with instant turn-on and dimming to < 20%
- No UV radiation or unwanted heat
- Mercury free and RoHS compliant
- Warranty 5 years (Estimated L90 > 60,000hrs; L70 > 200,000hrs)
- Full industry compliance- UL/cUL, FCC, CE, DLC, CA Title 24, LM-79, LM-80 LEDs
- Optional frosted (-F) or clear (-C) cover versions

Accessories

All Axlen dimmable eZ-series LED tubes are plug and play compatible with the CLEON intelligent lighting control system, please contact sales@axleninc.com for more details.

Lighting Distribution

The tube photometry is taken from an accredited testing laboratory in accordance with IESNA LM-79-08. Typical results are shown for 3 AXEZ-T8E-2F12W40K-F tubes in a Lithonia 2PM3 9 cell 2 x 2 parabolic troffer (see www.axleninc.com for detailed photometric data).



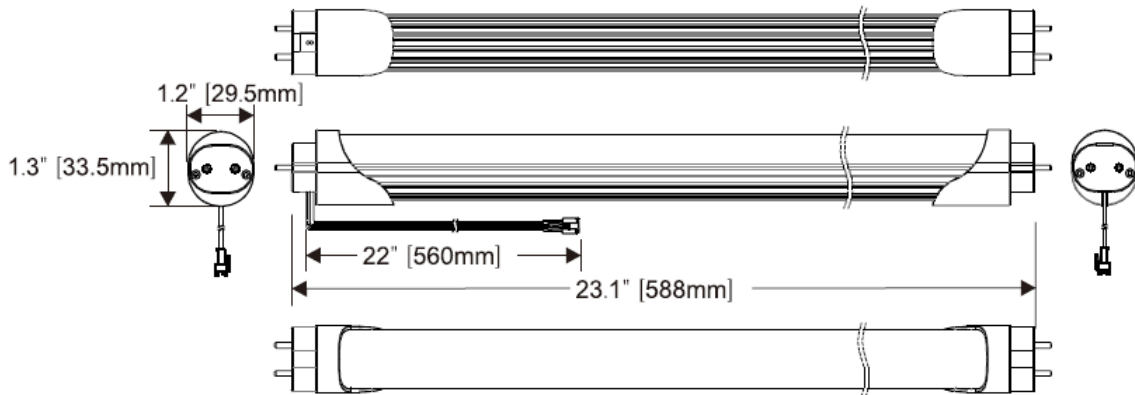
	Illuminance at a Distance	
	Center Beam fc	Beam Width
17.0ft	4.85 fc	27.1 ft 40.9 ft
34.0ft	1.21 fc	54.2 ft 81.9 ft
51.0ft	0.54 fc	81.4 ft 122.8 ft
68.0ft	0.30 fc	108.5 ft 163.7 ft
85.0ft	0.19 fc	135.6 ft 204.7 ft
102.0ft	0.13 fc	162.7 ft 245.6 ft

■ Vert. Spread: 77.2°
■ Horiz. Spread: 100.6°

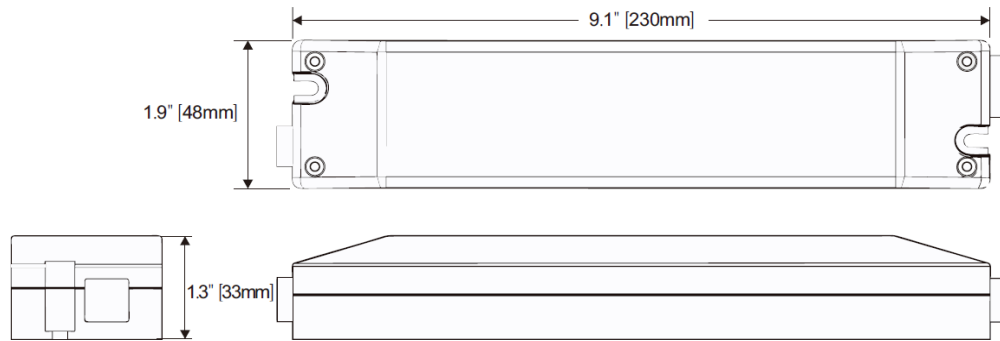
Physical Specifications

(Dimensions in inches/mm)

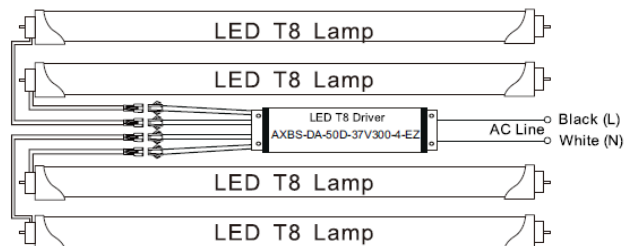
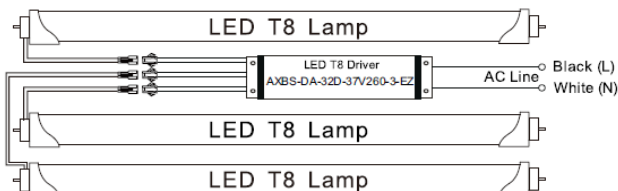
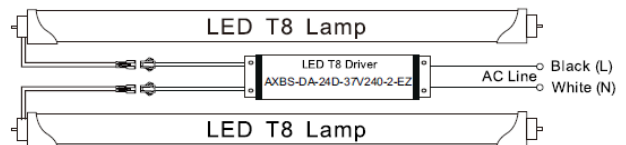
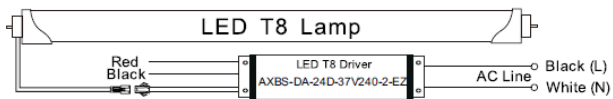
T8 LED Tube Weight: 0.44lb/0.2kg



Power Supply Weight: 0.66lb/0.3 kg



Wiring Configurations



Ordering Information

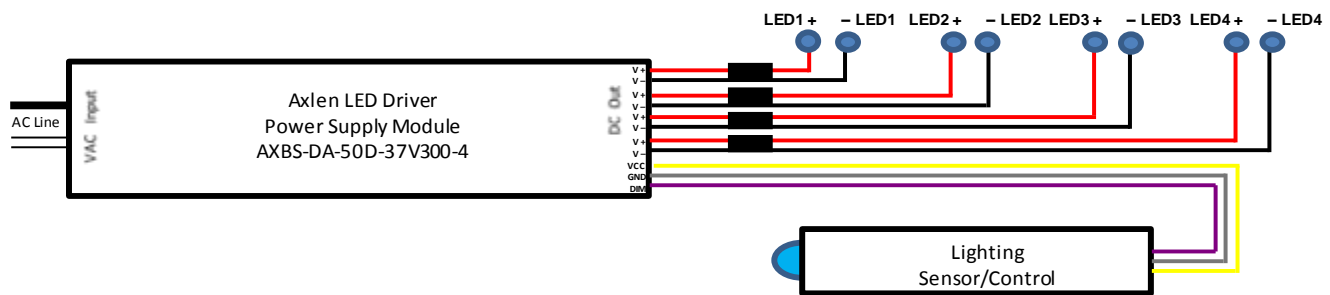
Configuration	Output Lumens ⁶	System Wattage	Power Supply	LED Tube Mode ⁷	LED Tube Quantity
1 x 2ft LED Tube	1200lm	10.4W	AXBS-DA-24D-37V240-2-EZ	AXEZ-T8E-2F12WYK-Z	1
2 x 2ft LED Tube	2400lm	20.8W	AXBS-DA-24D-37V240-2-EZ	AXEZ-T8E-2F12WYK-Z	2
3 x 2ft LED Tube	3600lm	31.2W	AXBS-DA-32D-37V260-3-EZ	AXEZ-T8E-2F12WYK-Z	3
4 x 2ft LED Tube	4800lm	42 W	AXBS-DA-50D-37V300-4-EZ	AXEZ-T8E-2F12WYK-Z	4

LED T8 Power Supply up to 50W

- High Efficiency
- Multiple Output Channels
- Constant Output Channel Current
- 0-10V Dimming Capability
- 12V Supply for Light Sensor
- Power Factor > 0.9



Example: Wiring diagram for AXBS-DA-50D-37V300-4-EZ external driver with 4 AXEZ-T8E-2F12W40K T8 LED tubes



6. Cumulative tube lumen output

7. Y = 40 for CCT 4000K, Y = 50 for CCT 5000K; Z = F for frosted and C for clear.

For more information, contact sales@axleninc.com

