



Project _____
Part No. _____
Quantity _____
Date _____

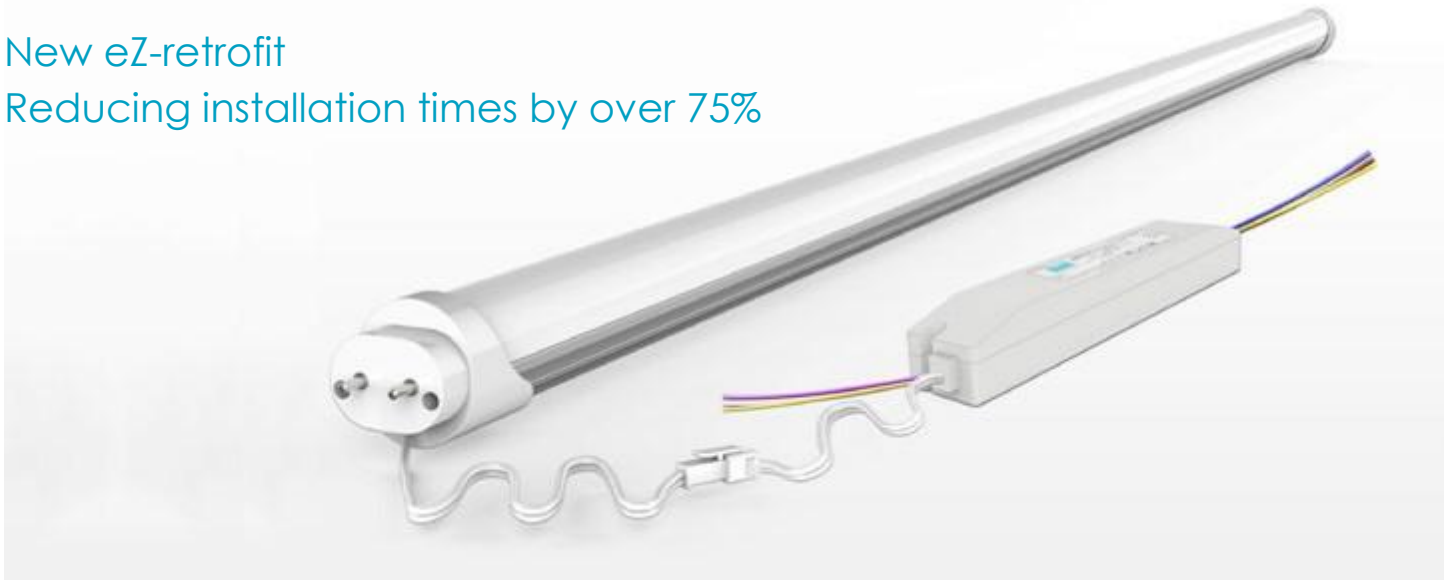
Excellence in LED Lighting

www.axleninc.com

eZ-series T8 LED Tube - 4Ft Dimmable Retrofit Kits

Efficacy > 140 lm/W

New eZ-retrofit
Reducing installation times by over 75%



Key Tube Specifications ¹

Model ²	Length	Input (VAC)	Wattage	Output Lumens ³	Efficacy ³	CRI ⁴	CCT ⁵
AXEZ-T8E-4F16W40K	4ft	100-277	16W	2213 lm	141 lm/W	85	4000K (neutral)
AXEZ-T8E-4F16W50K	4ft	100-277	16W	2258 lm	143 lm/W	85	5000K (cool)
AXEZ-T8E-4F23W40K	4ft	100-277	21W	2898 lm	139 lm/W	85	4000K (neutral)
AXEZ-T8E-4F23W50K	4ft	100-277	21W	3015 lm	142 lm/W	85	5000K (cool)

1. Due to our continuous improvement program, all specifications are subject to change and apply with Axlen driver models AXBS-DA-50D-37V600-2-EZ, AXBS-DA-50D-37V400-3-EZ, and AXBS-DA-32D-37V390-2-EZ. Axlen reserves the right of final interpretation.
2. US patent pending.
3. Lumen output and efficacy measured from the tube vs. AC input.
4. CRI is the color rendering index
5. CCT is the correlated color temperature. For other CCTs (3000K, 3500K, etc), please contact sales@axleninc.com.

For more information, contact sales@axleninc.com

Features

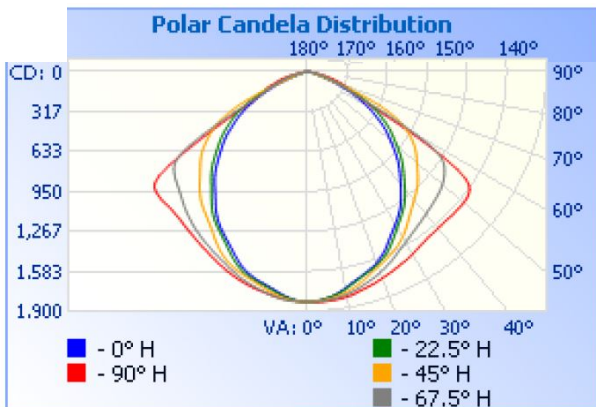
- Direct replacement for fluorescent tubes in existing fixtures
- Quick-fit connections for seamless installation into existing troffer tombstones (US patent pending)
- No re-wiring or pre-kitting of tombstones
- External power supply for high reliability and efficacy, with options for 1-3 LED tube configurations
- Fully dimmable with 0-10V input for operation with smart lighting control sensors
- Optional intelligent control capability with CLEON remote accessory
- Energy savings of 50% or more
- Innovative aluminum housing for superior thermal management
- External driver, power factor > 0.9
- Flicker free with instant turn-on and dimming to < 20%
- No UV radiation or unwanted heat
- Mercury free and RoHS compliant
- Warranty 5 years (Estimated L90 up to 60,000hrs; L70 > 200,000hrs)⁶
- Full industry compliance- UL/cUL, FCC, CE, DLC, CA Title 24, LM-79, LM-80 LEDs
- Optional frosted (-F) or clear (-C) cover versions

Accessories

All Axlen dimmable eZ-series LED tubes are plug and play compatible with the CLEON intelligent lighting control system, please contact sales@axleninc.com for more details.

Lighting Distribution

The tube photometry is taken from an accredited testing laboratory in accordance with IESNA LM-79-08. Typical results are shown for 2 AXEZ-T8E-4F23W40K-F tubes in a Lithonia 2PM3N 12 cell 2 x 4 parabolic troffer (see www.axleninc.com for detailed photometric data).



	Illuminance at a Distance	
	Center Beam fc	Beam Width
17.0ft	6.32 fc	38.7 ft 56.9 ft
34.0ft	1.58 fc	77.4 ft 113.7 ft
51.0ft	0.70 fc	116.2 ft 170.6 ft
68.0ft	0.39 fc	154.9 ft 227.4 ft
85.0ft	0.25 fc	193.6 ft 284.3 ft
102.0ft	0.18 fc	232.3 ft 341.2 ft

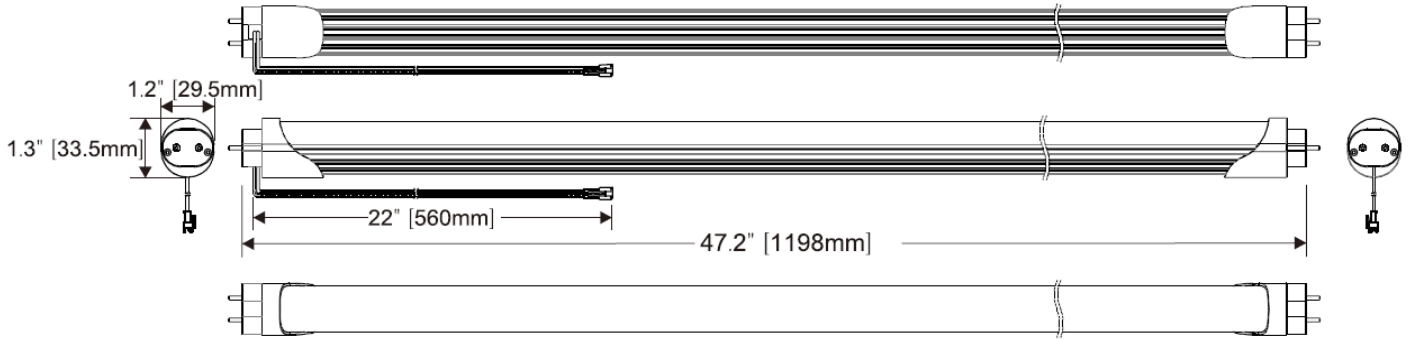
■ Vert. Spread: 97.4°
■ Horiz. Spread: 118.2°

6. For AXEZ-T8E-4F16WYK models, L90 > 60,000 hrs and L70 > 200,000 hrs; for AXEZ-T8E-4F23WYK models, L90 > 40,000 hrs and L70 > 130,000 hrs.

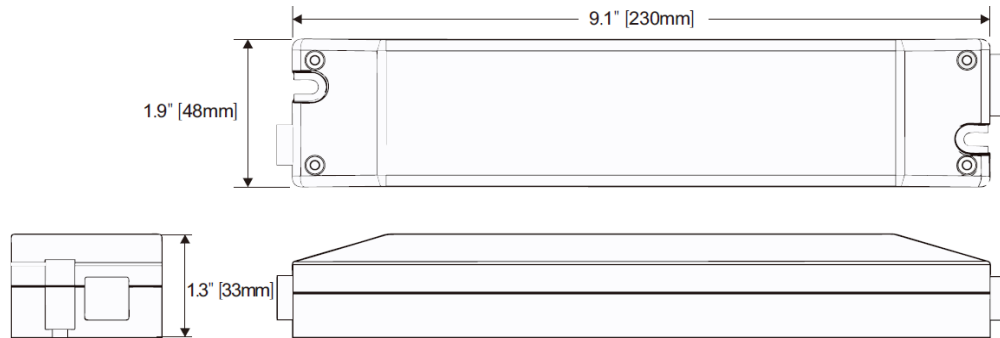
Physical Specifications

(Dimensions in inches/mm)

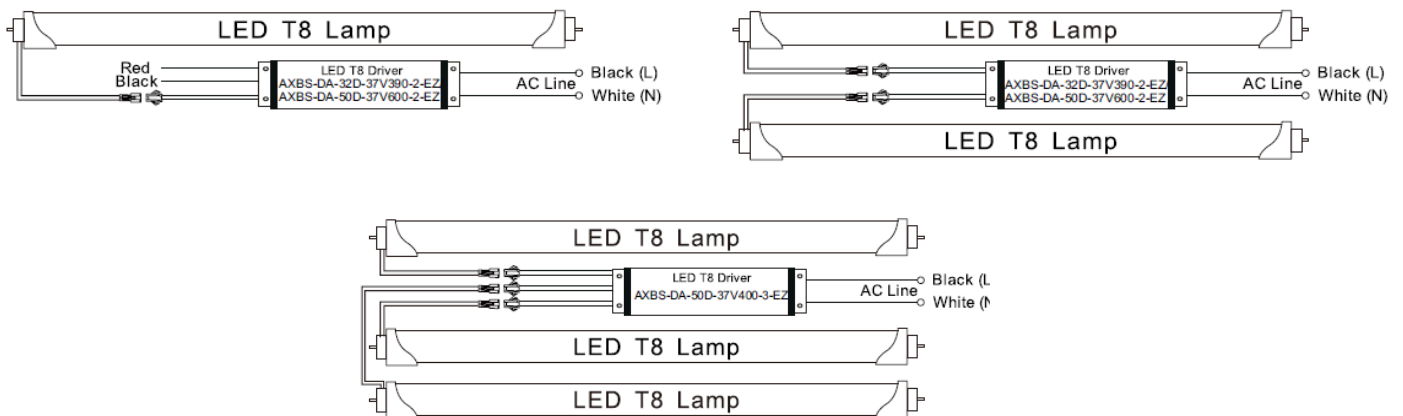
T8 LED Tube Weight: 0.88lb/0.4kg



Power Supply Weight: 0.66lb/0.3 kg



Wiring Configurations



For more information, contact sales@axleninc.com

Ordering Information

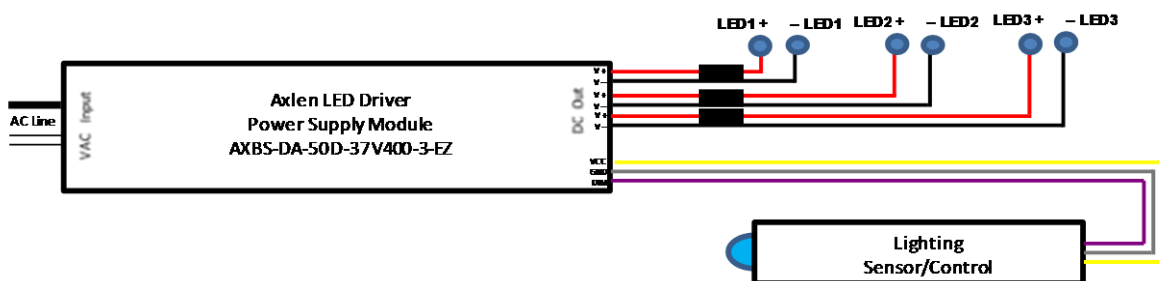
Configuration	Output Lumens ⁷	System Wattage	Power Supply	LED Tube Mode ⁸	LED Tube Quantity
1 x 4ft LED Tube	1600lm	16W	AXBS-DA-32D-37V390-2-EZ	AXEZ-T8E-4F16WYK-Z	1
1 x 4ft LED Tube	2300lm	21W	AXBS-DA-50D-37V600-2-EZ	AXEZ-T8E-4F23WYK-Z	1
2 x 4ft LED Tube	3200lm	32W	AXBS-DA-32D-37V390-2-EZ	AXEZ-T8E-4F16WYK-Z	2
2 x 4ft LED Tube	4600lm	42W	AXBS-DA-50D-37V600-2-EZ	AXEZ-T8E-4F23WYK-Z	2
3 x 4ft LED Tube	4800lm	48W	AXBS-DA-50D-37V400-3-EZ	AXEZ-T8E-4F16WYK-Z	3

LED T8 Power Supply up to 50W

- High Efficiency
- Multiple Output Channels
- Constant Output Channel Current
- 0-10V Dimming Capability
- 12V Supply for Light Sensor
- Power Factor > 0.9



Example: Wiring diagram for AXBS-DA-50D-37V400-3-EZ external driver with 3 AXEZ-T8E-4F16W40K T8 LED tubes



7. Cumulative tube lumen output

8. Y = 40 for CCT 4000K, Y = 50 for CCT 5000K; Z = F for frosted, C for clear, and S for striped

For more information, contact sales@axleninc.com

