

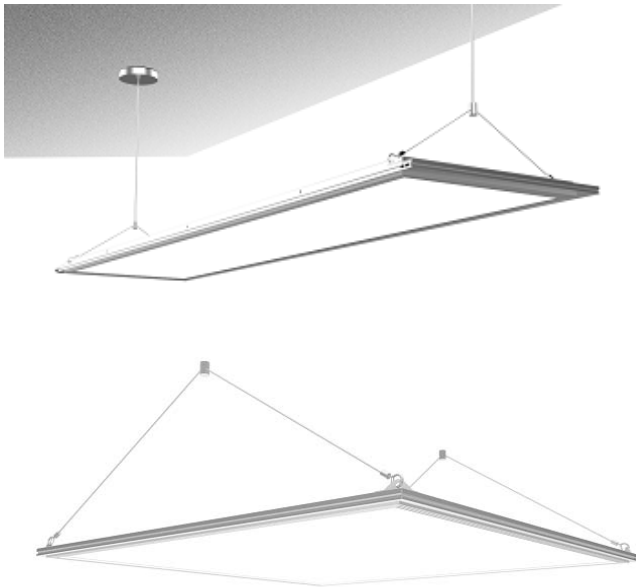


Project _____
 Part No. _____
 Quantity _____
 Date _____

Excellence in LED Lighting

www.axleninc.com

e-Solis LED Suspended Panel Light



New "Transparent" Version

Elegant Suspended Slim Profile

Contemporary Visual Experience

Efficient Edge Lit LED Architecture

Smooth Lighting Distribution

Bi-directional Light Output

Proprietary Low-Glare Optical Films

1' x 4' and 2' x 2' versions

Key Panel Specifications ¹

| Model ² | Input (VAC) | Wattage | Beam Angle | Total Lumen Output ³ | CRI ⁴ | CCT ⁵ |
|--------------------|-------------|---------|------------|---------------------------------|------------------|------------------|
| AX-PL1-32W30K-T | 100-277 | 32W | 110° | 3500 lm | 85 | 3000K (warm) |
| AX-PL1-32W40K-T | 100-277 | 32W | 110° | 3500 lm | 85 | 4000K (neutral) |
| AX-PL1-32W50K-T | 100-277 | 32W | 110° | 3500 lm | 85 | 5000K (cool) |
| AX-PL1-50W30K-T | 100-277 | 50W | 110° | 5000 lm | 85 | 3000K (warm) |
| AX-PL1-50W40K-T | 100-277 | 50W | 110° | 5000 lm | 85 | 4000K (neutral) |
| AX-PL1-50W50K-T | 100-277 | 50W | 110° | 5000 lm | 85 | 5000K (cool) |
| AX-PL2-32W30K-T | 100-277 | 32W | 110° | 3500 lm | 85 | 3000K (warm) |
| AX-PL2-32W40K-T | 100-277 | 32W | 110° | 3500 lm | 85 | 4000K (neutral) |
| AX-PL2-32W50K-T | 100-277 | 32W | 110° | 3500 lm | 85 | 5000K (cool) |
| AX-PL2-50W30K-T | 100-277 | 50W | 110° | 5000 lm | 85 | 3000K (warm) |
| AX-PL2-50W40K-T | 100-277 | 50W | 110° | 5000 lm | 85 | 4000K (neutral) |
| AX-PL2-50W50K-T | 100-277 | 50W | 110° | 5000 lm | 85 | 5000K (cool) |

1. Due to our continuous improvement program, all specifications are subject to change and Axlen reserves the right of final interpretation.

2. Models AX-PL1- are 1' x 4' and models AX-PL2- panels are 2' x 2' panels.

3. Models AX-PL1- provide 55% of light down and 45% up; models AX-PL2- panels provide 70% of light down and 30% up; for other ratios contact sales@axleninc.com.

4. CRI is the color rendering index.

5. CCT is the correlated color temperature. For other CCTs (3500K, 4500K, etc), please contact sales@axleninc.com.

For more information, contact sales@axleninc.com

Features

- Contemporary transparent luminaire
- Elegant suspended installation
- Ultra thin slim profile
- Remote power supply module
- Smooth bi-directional diffuse light output with minimal glare
- Integral power supply, power factor > 0.9 and drive for external smart lighting sensor
- Fully dimmable with 0-10V control input
- Optional intelligent control capability with CLEON remote accessory
- Energy efficient- industry-leading efficacy
- No UV or unwanted heat
- Mercury free and RoHS compliant
- Warranty 5 years (Estimated L90 up to 60,000hrs; L70 > 200,000hrs)⁵
- Industry compliance⁶- CA Title 24, LM79, LM80 LEDs⁶

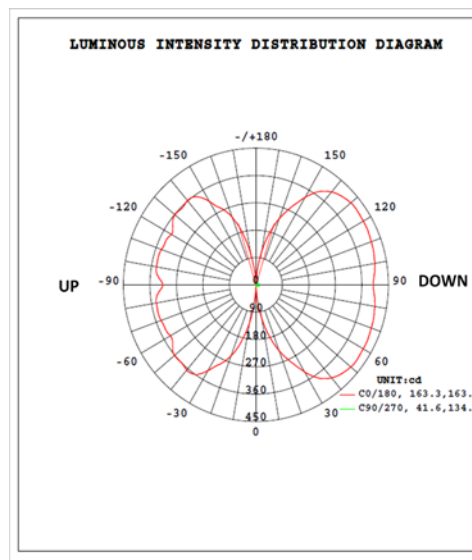
Accessories

e-Solis installation kits are available; SK-48W-14, SK-48-14, SK-48W-22, and SK-48-22 for suspended applications , please contact sales@axleninc.com for more details.

All e-Solis panels are plug and play compatible with the CLEON intelligent lighting control system and are available with an emergency backup option (-E version), please contact sales@axleninc.com for more details.

Lighting Distribution

The panel photometry is taken from an accredited testing laboratory in accordance with IESNA LM-79-08. Typical results are shown for AX-PL1-32W40K-T smooth diffuse output panels (see www.axleninc.com for detailed photometric data).



5. For AX-PL1-32W and AX-PL2-32W models, L90 > 60,000 hrs and L70 > 200,000 hrs; for AX-PL1-50W and AX-PL2-50W models, L90 > 30,000 hrs and L70 > 100,000 hrs.

6. All components are UL compliant.

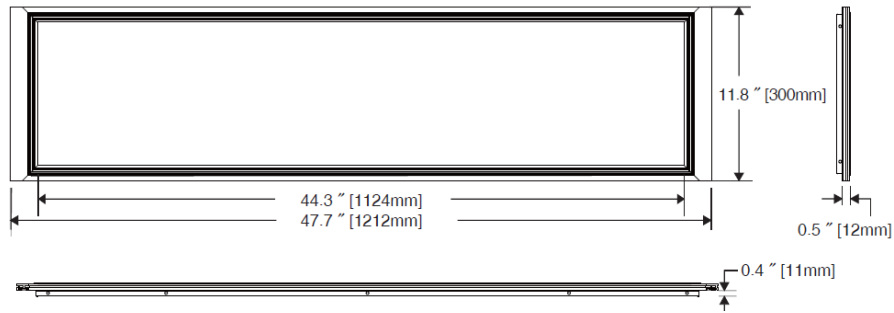
For more information, contact sales@axleninc.com

Physical Specifications

(Dimensions in inches/mm)

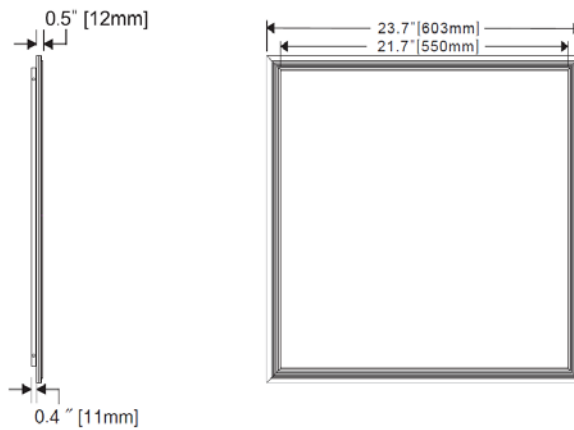
AX-PL1- panels

Panel Weight: 9.5lb/4.3kg



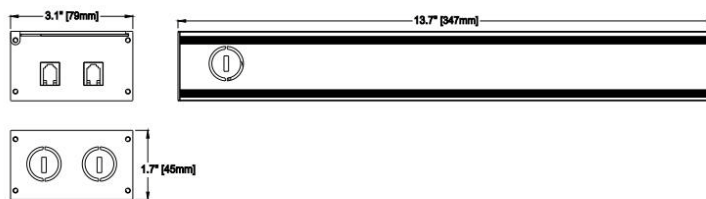
AX-PL2- panels

Panel Weight: 9.3lb/4.2kg



Remote power supply

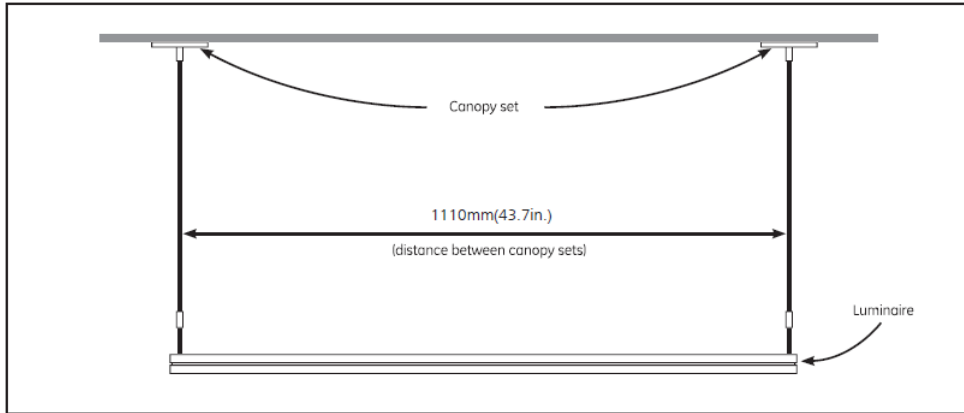
Weight: 1.9lb/0.85kg



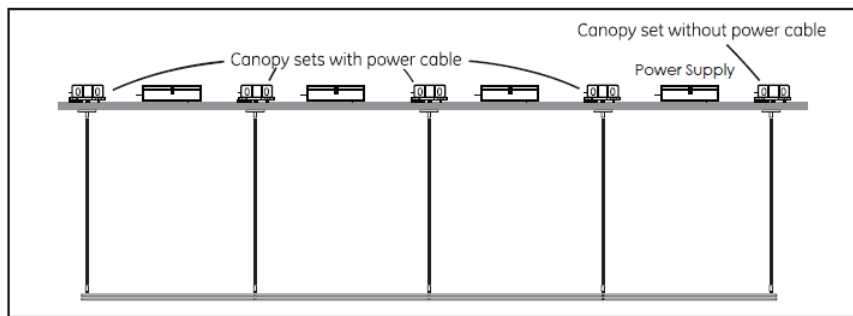
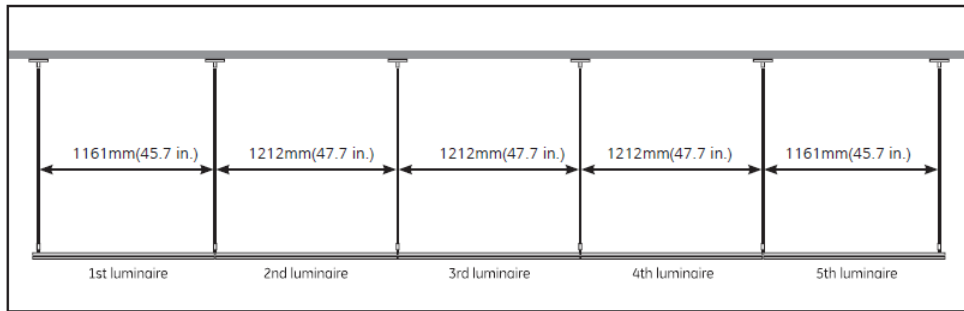
Mounting Options

(for SK-48W-14 or SK-48-14 kits)

Single unit installation



Multiple units in series using panel inter-connection hardware



Maximum distance for remote drivers

| Supply Wire Gauge | Wire Length |
|-------------------|-------------|
| 18 AWG | 59 ft. |
| 16 AWG | 98 ft. |
| 14 AWG | 154 ft. |
| 12 AWG | 249 ft. |

For more information, contact sales@axleninc.com

